



**HELIOS** RENEWABLE  
ENERGY  
PROJECT

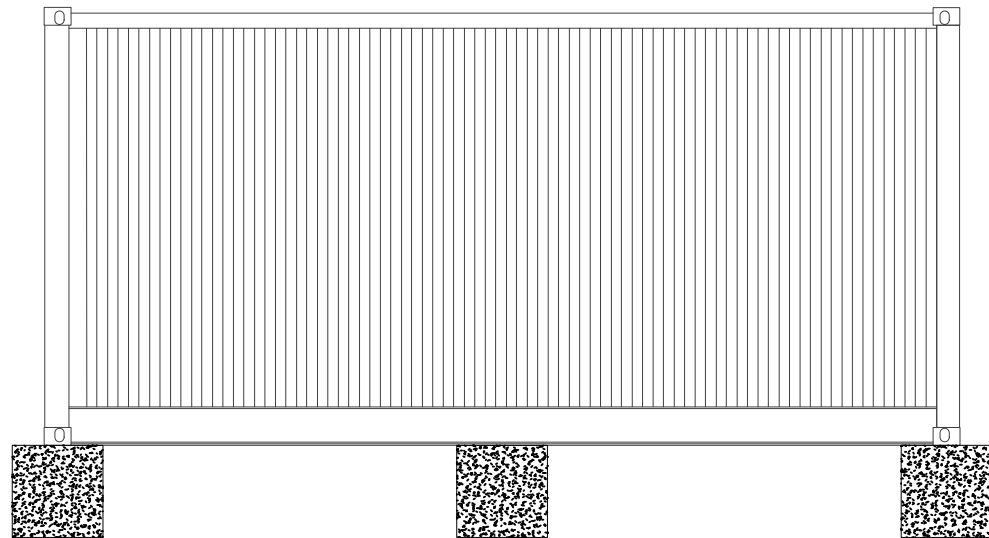
**PINS Document Number:**  
EN010140/APP/6.2.3.9

**Pursuant to:**  
APFP Regulation 5(2)(a)

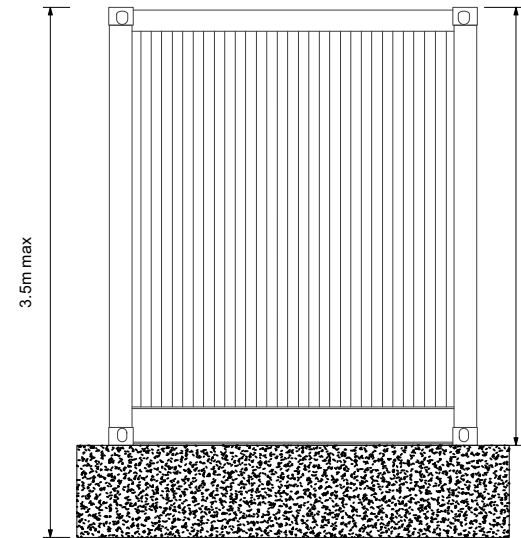
## **Environmental Statement Figure 3.9: BESS Inverter/Transformer**

June 2024

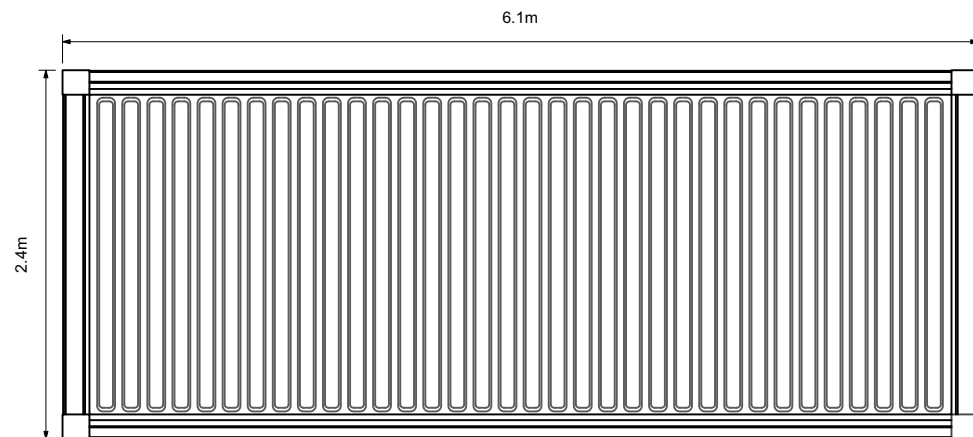
Side Elevation



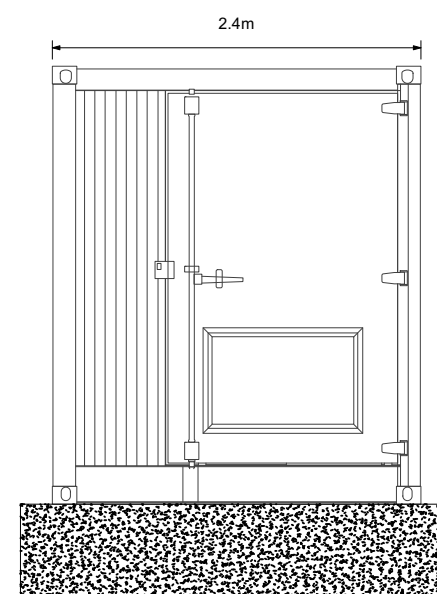
Rear Elevation



Roof Plan



Front Elevation



GENERAL NOTES:

1) ALL DIMENSIONS ARE IN METERS UNLESS SPECIFIED.

Revisions:  
First Issue- 02/05/2023 JS

ALL DIMENSIONS TO BE CHECKED ON SITE WORK TO FIGURED DIMENSIONS ONLY REPORT DISCREPANCIES TO THE GFP AT ONCE BEFORE PROCEEDING COPYRIGHT ACT APPLIES.

© Enso Energy Ltd. Crown Copyright. All rights reserved. © 2024  
Emapsite license number 0100031673



Enso Energy Limited, Unit 1 & 2 Cirencester Office Park,  
Telbury Road, Cirencester, GL7 6JJ  
Tel: 01452 764665 Email: enquiries@ensoenergy.co.uk

Project Title:

**Helios Renewable Energy Project**

Drawing Title:

**Figure 3.9  
BESS Inverter/Transformer**

DRWG No: DX-01-P40	Rev: -	Sht no: -
Drawn by : JS	Checked by: KL	
Scale: 1:50 @ A3	Date: 02/05/2023	